

# METROLOGY®



*Depth Gauge*



*Dial Snap Gauge*



*Dial Snap Gauge*



*Digital Inside Caliper Gauge*



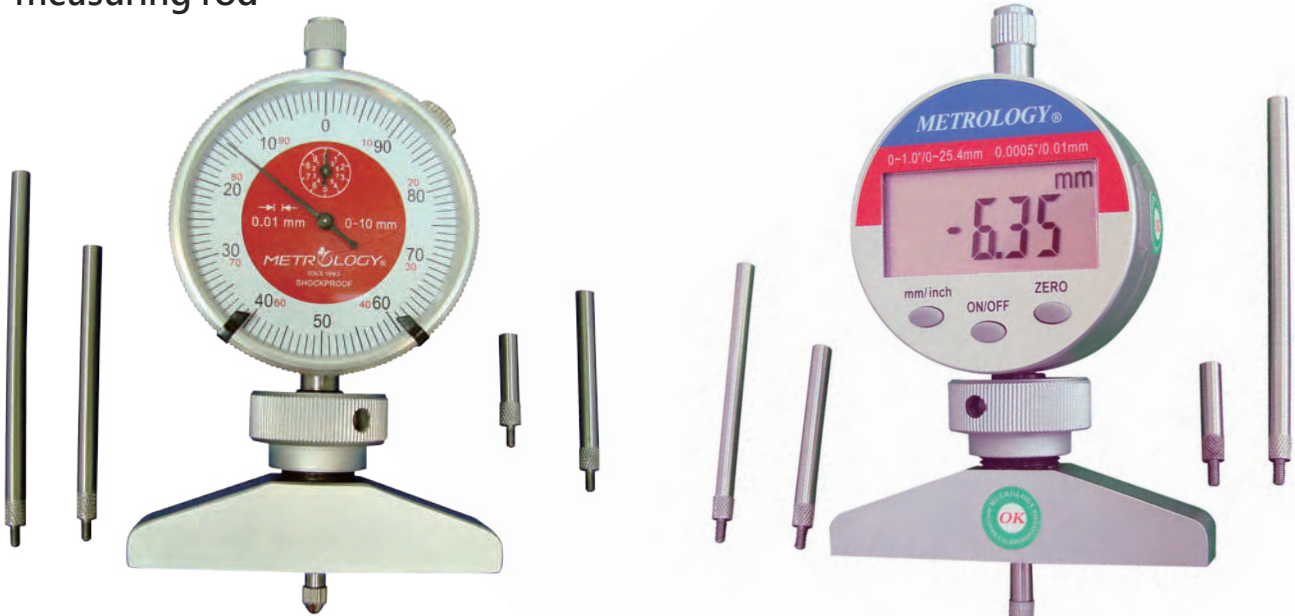
*Outside Dial Caliper Gauge*



*Dial Gauge Depth Base*

■ Depth Gauge

For measuring depth, thickness, height, and step With base and interchangeable measuring rod



DD-9200

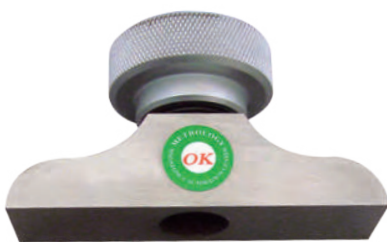
DD-9200E

Model No.	Measuring Range	Resolution	Accuracy	Remark
DD-9200	0-200mm	0.01mm	15um	With 0-10mm ED-9010 dial gage
DD-9200E	0-200mm / 8"	0.001mm / 0.00005"	15um	With 0-10mm ED-9013HN digital dial gage
DD-9200EH	0-200mm / 8"	0.001mm / 0.00005"	5um	With 0-10mm ED-9013H digital dial gage

Remark: Above with base L75mm x T14.5mm & interchangeable measuring rod.

■ Dial Gauge Depth Base

Suitable for any dial gauges with Ø8mm stems



DB-9000S



DB-9000L

Model No.	Measuring Face	Hole Dia.
DB-9000S	63*17mm	Φ 8mm
DB-9000L	101.5*17mm	



ED-9050+DB-9000S

■ Dial Snap Gauge

For measuring thickness, external dimension, and outside diameter.



DS-9001



DS-9002



DS-9003



DS-9004

Model No.	Measuring Range	Accuracy	Remark
DS-9001	0-10mm	0.1mm	L: 35mm Radius anvil
DS-9002			L: 35mm Flat anvil
DS-9003			L: 35mm Tube type anvil
DS-9004			L: 60mm Tube type anvil

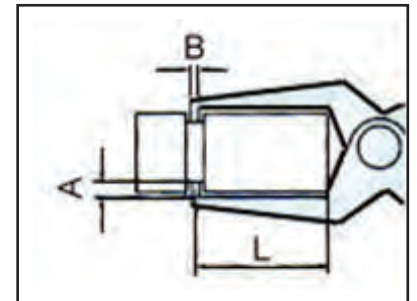
Graduation : 0.05mm

## ■ Outside Dial Caliper Gauge

For measuring thickness, outside diameter, outside groove diameter.



Model No.	Measuring Range	Accuracy	Dimension (mm)
OC-9000	0-20mm	30um	A: 6 B: $\Phi$ 3 L: 60
OC-9020	20-40mm		A: 6 B: $\Phi$ 3 L: 60
OC-9040	40-60mm		A: 6 B: $\Phi$ 3 L: 55
OC-9060	60-80mm		A: 6 B: $\Phi$ 3 L: 55
OC-9080	80-100mm		A: 6 B: $\Phi$ 3 L: 55



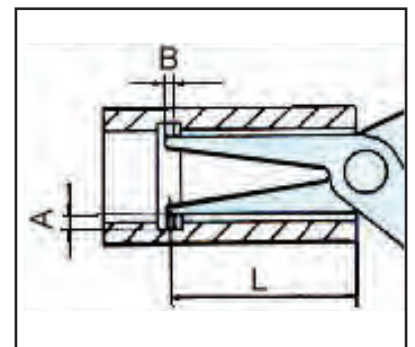
Graduation : 0.01mm

## ■ Inside Dial Caliper Gauge

For measuring width, inside diameter, inside groove diameter.



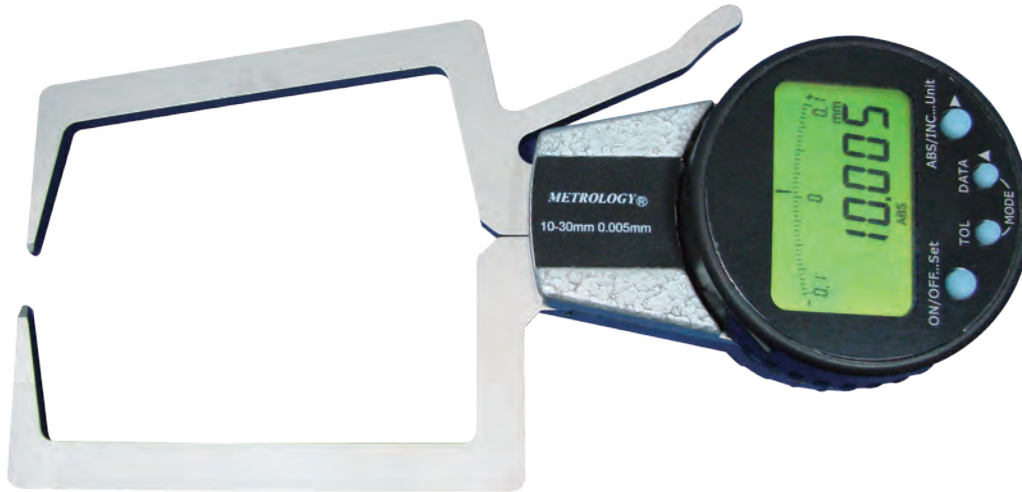
Model No.	Measuring Range	Accuracy	Dimension (mm)
IC-9015	15-35mm	30um	A: 3 B: $\Phi$ 3 L:50
IC-9035	35-55mm		A: 6 B: $\Phi$ 3 L:80
IC-9055	55-75mm		A: 8 B: $\Phi$ 3 L:90
IC-9075	75-95mm		A: 8 B: $\Phi$ 3 L:100
IC-9095	95-115mm		A: 10 B: $\Phi$ 3.2 L:150
IC-9115	115-135mm		A: 10 B: $\Phi$ 3.2 L:150



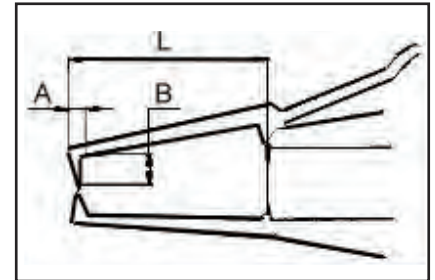
Graduation : 0.01mm

■ Digital Outside Caliper Gauge

For measuring thickness, outside diameter, outside groove diameter.



Model No.	Measuring Range	Accuracy	Dimension (mm)
OC-9000E	0-20mm	±30um	A:6.5 B:25 L:80 R:0.75
OC-9010E	10-30mm		
OC-9020E	20-40mm		
OC-9030E	30-50mm		
OC-9040E	40-60mm		



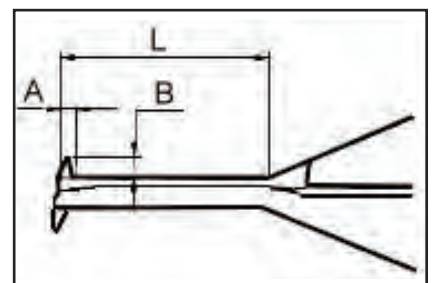
Resolution : 0.005mm / 0.0002"

■ Digital Inside Caliper Gauge

For measuring width, inside diameter, inside groove diameter.



Model No.	Measuring Range	Accuracy	Dimension (mm)
IC-9005E	5-25mm	±30um	A:1 B:1.5 L:35 R:0.3
IC-9010E	10-30mm		A:2 B:3.5 L:50 R:0.5
IC-9020E	20-40mm		A:3 B:6.5 L:80 R:0.5
IC-9030E	30-50mm		A:3 B:8.5 L:80 R:0.5
IC-9040E	40-60mm		A:3 B:8.5 L:80 R:0.5



Resolution : 0.005mm / 0.0002"