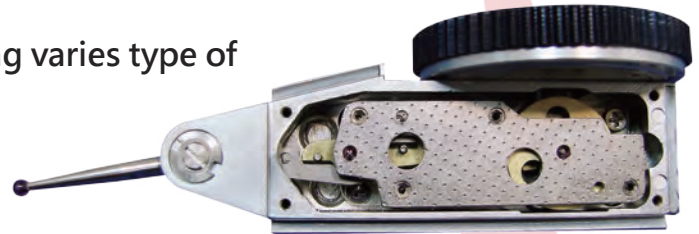


Level-Type Dial Indicator



Feature

- Swiss style precision gear module design, precision display, aluminum or steel housing, ensuring reliability and durability.
- Produced and calibrated according to German DIN 2270 and JIS B7533 standards.
- Magnetic proof pointer design. Readings are not affected under normal magnetic fields.
- Measuring contact points of 240 degrees variable directions.
- Internal movement is made of ruby bearings.
- Dual color bezel with contrast graduation scale for easy readings.
- With 3 position dovetail guides for clamping varies type of device and magnetic tools.
- With $\Phi 8\text{mm}$ $\Phi 4\text{mm}$ dovetail grip.



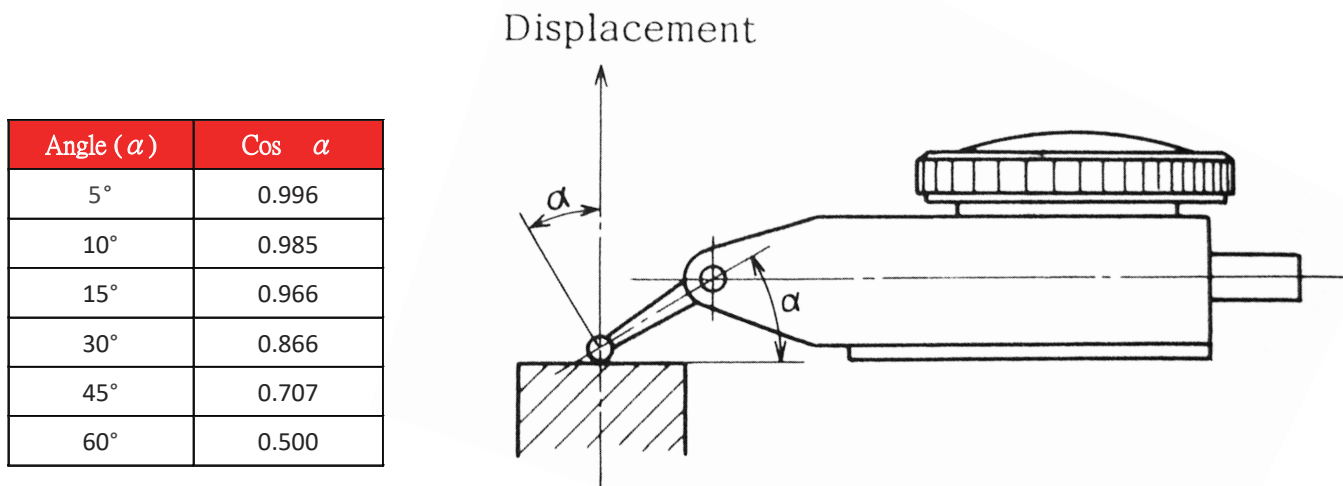
Calibration Report

All measuring accuracy is according to German DIN 2270, ISO and Japan JIS B7533 international standards. JCC calibration report is included.

Note on the use of Level-type Dial Indicator

With the measuring insert lying parallel to the workpiece surface, these indicators give true reading. In another measuring position, the effective lever length changes so that the read value needs to be corrected.

【Correction Parameter Diagram】



Actual measured value = measured value x Cos α

■ Level Type Dial Indicator (Standard)

For measuring parallel, flatness, straightness, roundness, concentricity, runout of geometric tolerance and etc.



LD-9001



Magnetic stands MS-SU30K



LD-9001R

Model No.	Measuring Range	Graduation	Accuracy	Remark
LD-9001	0-0.8mm	0.01mm	8um	Φ2mm Steel tip
LD-9001R				Φ2mm Ruby tip

Remark: Φ 32mm Small bezel

■ Level Type Dial Indicator (Long Measuring Inserts)



LD-9001SLL



LD-9001SL

Magnetic stands MS-SF80K



Model No.	Measuring Range	Graduation	Accuracy	Remark
LD-9001SL	0-0.8mm	0.01mm	8um	Φ 30mm Small bezel
LD-9001SLL		0.005mm		Φ 37.5mm Large bezel

Remark: Φ2mm L:44mm Super long steel tip, Interchangeable ruby tip, Model no.: LD-1SLR2(optional)

■ Level Type Dial Indicator (Micro)

For measuring parallel, flatness, straightness, roundness, concentricity, runout of geometric tolerance and etc.



LD-9002L



LD-9002LR

Model No.	Measuring Range	Graduation	Accuracy	Remark
LD-9002L	0-0.8mm	0.005mm	8um	Φ2mm Steel tip
LD-9002LR				Φ2mm Ruby tip

Remark: Φ 38mm Large bezel

■ Level Type Dial Indicator (Micro)



LD-9003L



LD-9003

Model No.	Measuring Range	Graduation	Accuracy	Remark
LD-9003	0-0.2mm	0.002mm	4 um	Φ 32mm Small bezel Φ2mm Steel tip
LD-9003R				Φ 32mm Small bezel Φ2mm Ruby tip
LD-9003L				Φ 38mm Large bezel Φ2mm Steel tip
LD-9003LR				Φ 38mm Large bezel Φ2mm Ruby tip

■ Level Type Dial Indicator (Vertical)

Suitable for inspecting centering of holes and measuring geometric tolerance.



LD-9003V

Model No.	Measuring Range	Graduation	Accuracy	Remark
LD-9003V	0-0.2mm	0.002mm	4um	Φ 32mm Small bezel, Φ2mm Steel tip
LD-9003VL				Φ 38mm Large bezel, Φ2mm Steel tip



Centering holder
LD-CS

■ Measuring Inserts (For Level-Type Dial Indicators)



Model No.	Specification	Material	Remark
LD-12S2	Φ2*L18mm M1.8-6g	Steel	For LD-9001 & LD-9002 Series
LD-12R2		Ruby	
LD-3S2	Φ2*L12mm M1.6-6g	Steel	For LD-9003
LD-3R2		Ruby	
LD-4S2	Φ2*L10mm M2.0-6g	Steel	For LD-9004
LD-4R2		Ruby	
LD-1LS2	Φ2*L26mm M2.0-6g	Steel	For LD-9001L Series
LD-1LR2		Ruby	
LD-1SLS2	Φ2*L44mm M1.6-6g	Steel	For LD-9001SL Series
LD-1SLR2		Ruby	
LD-1LTS2	Φ2*L17mm M1.4-6g	Steel	For LD-9001LT
LD-MS4	Φ4*L13mm	Steel	For LD series Mounting shanks with dovetail grip
LD-MS6	Φ6*L13mm		
LD-MS8	Φ8*L13mm		

*Can be installed on various brands level-type dial indicators according to screw specifications

■ Level-Type Dial Indicator Accessories



Product	Model No.	Specification
Swivel holder	LD-A1	Φ6mm, Φ8mm Double fixing clamp with Dovetail grip
Cylindrical shank holder	LD-C1	Φ8mm Round Stem Overall length : 100mm
Rectangular shank holder	LD-C2	9*9mm Rectangular stem Overall length : 100mm

Remark: suitable for various brands of lever-type dial indicator.

■ Level-Type Dial Indicator Accessories



Product	Model No.	Specification
Centering holder	LD-CS	Φ8mm mounting rod, Φ4mm dovetail clamp and C-type swivel clamp
Universal clamp	LD-UC	Φ4, Φ6mm swivel clamping points dovetail Φ8, Φ10mm universal stem. Overall length : 140mm

Remark: suitable for various brands of lever-type dial indicator.