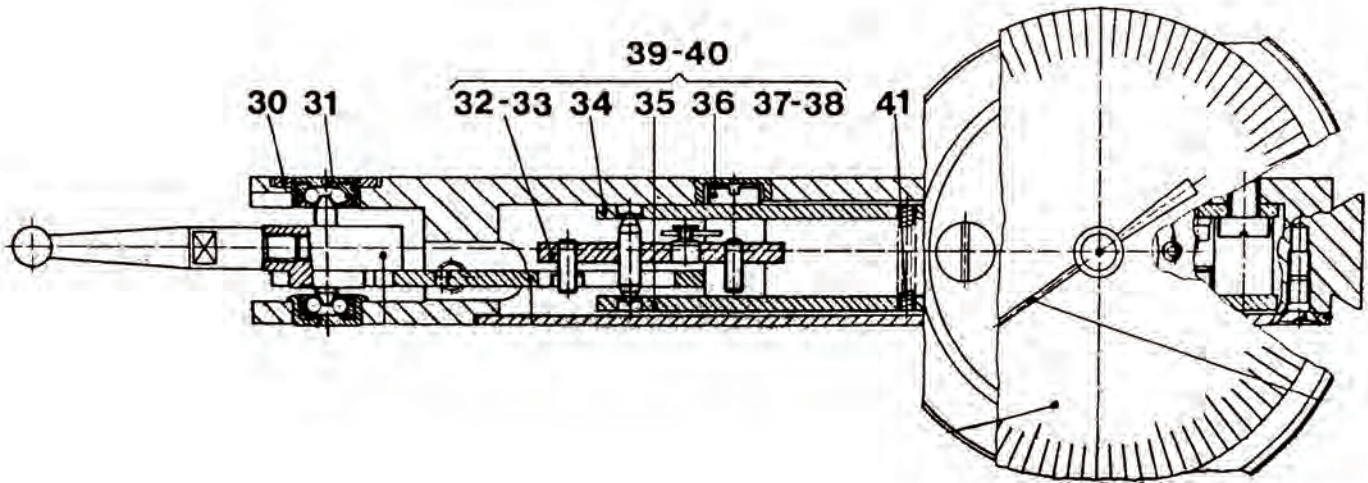


DIAL INDICATOR

- **METROLOGY** dial indicator series with new innovative design in structural quality, functionality, and test accuracy, a total upgrade to satisfy your upmost demand.
- The brand new dial indicator series is design and assemble in Taiwan. Key components manufactured with Swiss technique, housing OEM by China, complete quality assurance performed by Jingstone Calibration Center (JCC ISO 17025 accredited lab) in Taiwan.
- The dial indicators are made with hardened aluminum alloy housing, precision gears, fine-polished spindles, and Swiss type movements module. Along with jewelled bearings and shock protection to ensure overall accuracy.
- Measuring accuracy is according to the international standards of Germany DIN 878, DIN 2270, EN ISO 463, and Japan JIS B7503&B7533. All final calibration is done by ISO certified Jingstone Calibration Center. Calibration report is included.



Swiss precision technique

