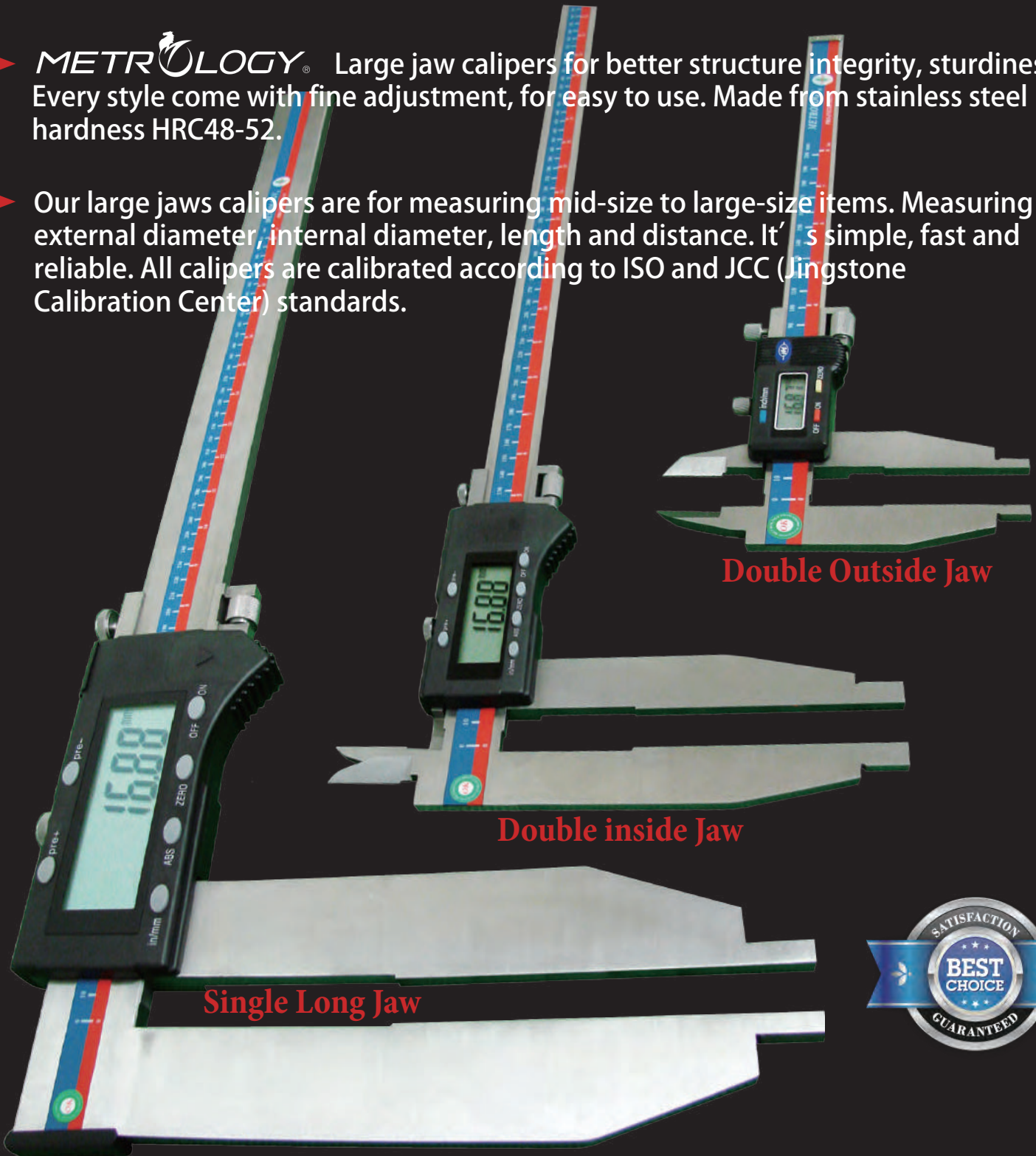


# CALIPER

- **METROLOGY**® Large jaw calipers for better structure integrity, sturdiness. Every style come with fine adjustment, for easy to use. Made from stainless steel hardness HRC48-52.
- Our large jaws calipers are for measuring mid-size to large-size items. Measuring external diameter, internal diameter, length and distance. It's simple, fast and reliable. All calipers are calibrated according to ISO and JCC (Jingstone Calibration Center) standards.



Double Outside Jaw

Double inside Jaw

Single Long Jaw



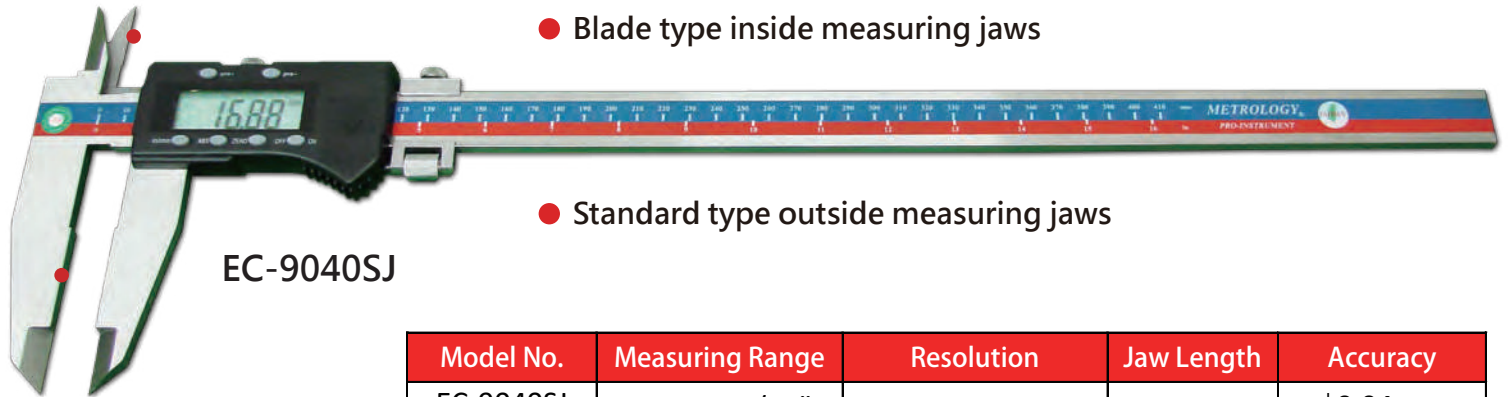
- Resolution :0.01mm/0.0005"
- MM/INCH: Metric and Imperial system conversion
- OFF/ON: manual switch On and Off
- ZERO: Reset zero at any positions
- ABS: Absolute and increment value conversion
- PRE+/-: Increase or decrease size setting

## ■ Digital Caliper (Standard Jaw)

For measuring mid-size workpiece external, internal, step, length and distance.

● Blade type inside measuring jaws

● Standard type outside measuring jaws



EC-9040SJ

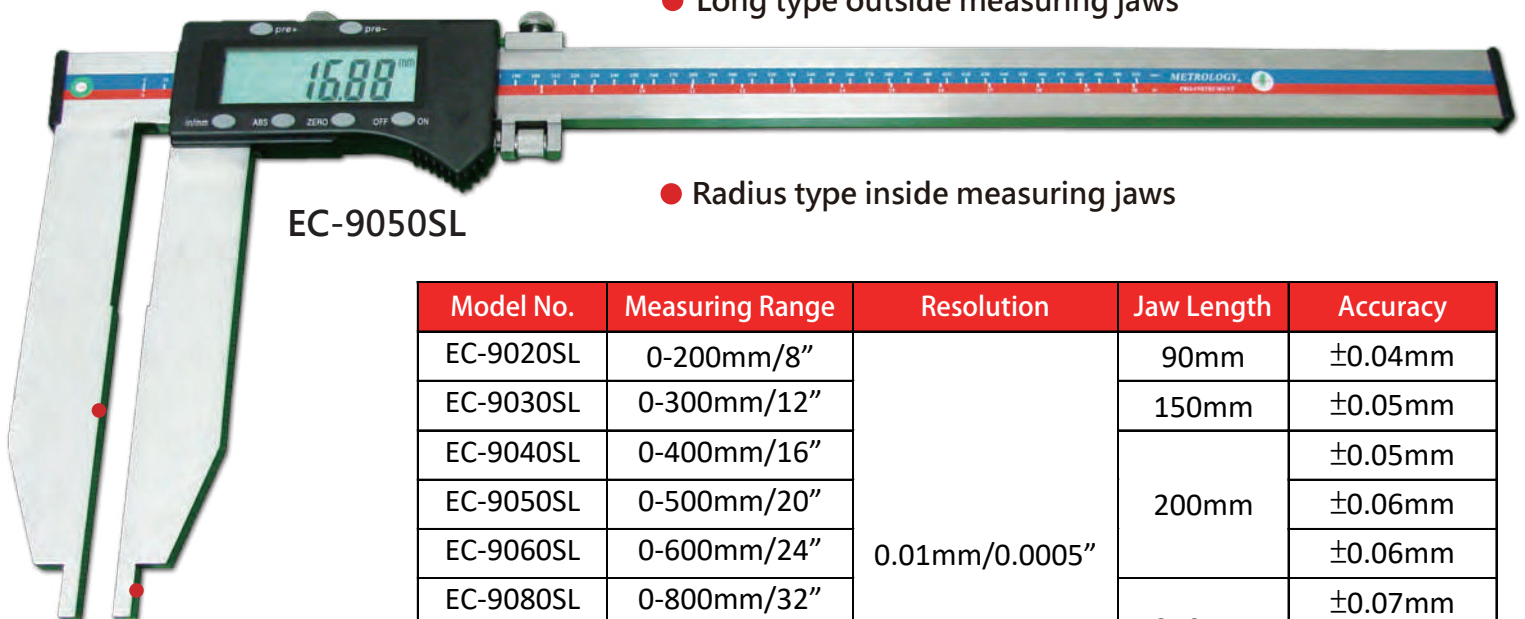
Model No.	Measuring Range	Resolution	Jaw Length	Accuracy
EC-9040SJ	0-400mm/16"	0.01mm/0.0005"	100mm	±0.04mm
EC-9050SJ	0-500mm/20"		100mm	±0.05mm
EC-9060SJ	0-600mm/24"		100mm	±0.05mm
EC-9080SJ	0-800mm/32"		125mm	±0.06mm
EC-9100SJ	0-1000mm/40"		150mm	±0.08mm

## ■ Digital Caliper (Single Long Jaw)

For measuring small, mid, large size workpiece, external internal, step, length and distance.

● Long type outside measuring jaws

● Radius type inside measuring jaws

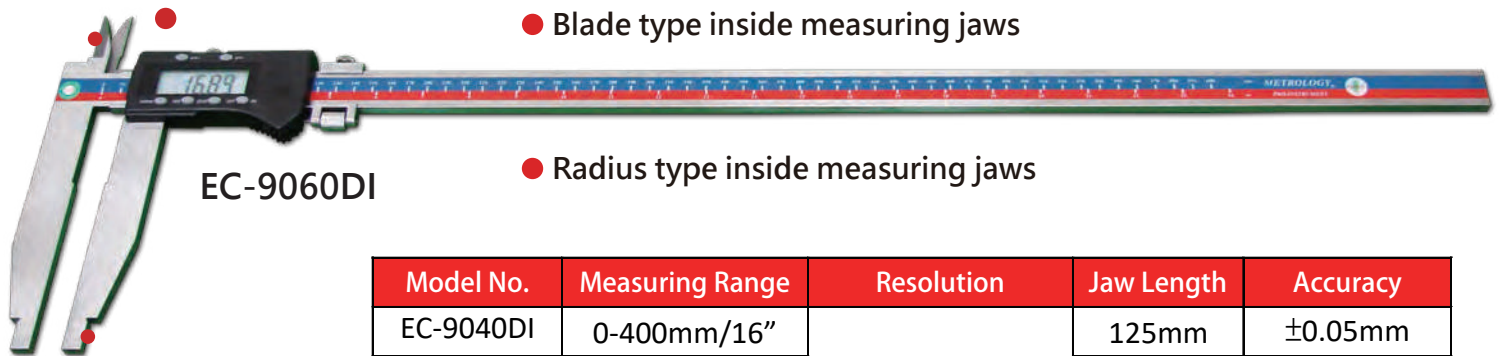


EC-9050SL

Model No.	Measuring Range	Resolution	Jaw Length	Accuracy
EC-9020SL	0-200mm/8"	0.01mm/0.0005"	90mm	±0.04mm
EC-9030SL	0-300mm/12"		150mm	±0.05mm
EC-9040SL	0-400mm/16"		200mm	±0.05mm
EC-9050SL	0-500mm/20"			±0.06mm
EC-9060SL	0-600mm/24"		±0.06mm	
EC-9080SL	0-800mm/32"		250mm	±0.07mm
EC-9100SL	0-1000mm/40"			±0.08mm
EC-9150SL	0-1500mm/60"		300mm	±0.12mm
EC-9200SL	0-2000mm/80"			±0.15mm

■ Digital Caliper (Double Inside Jaw)

For measuring mid-size workpiece external, internal, step, length and distance.



EC-9060DI

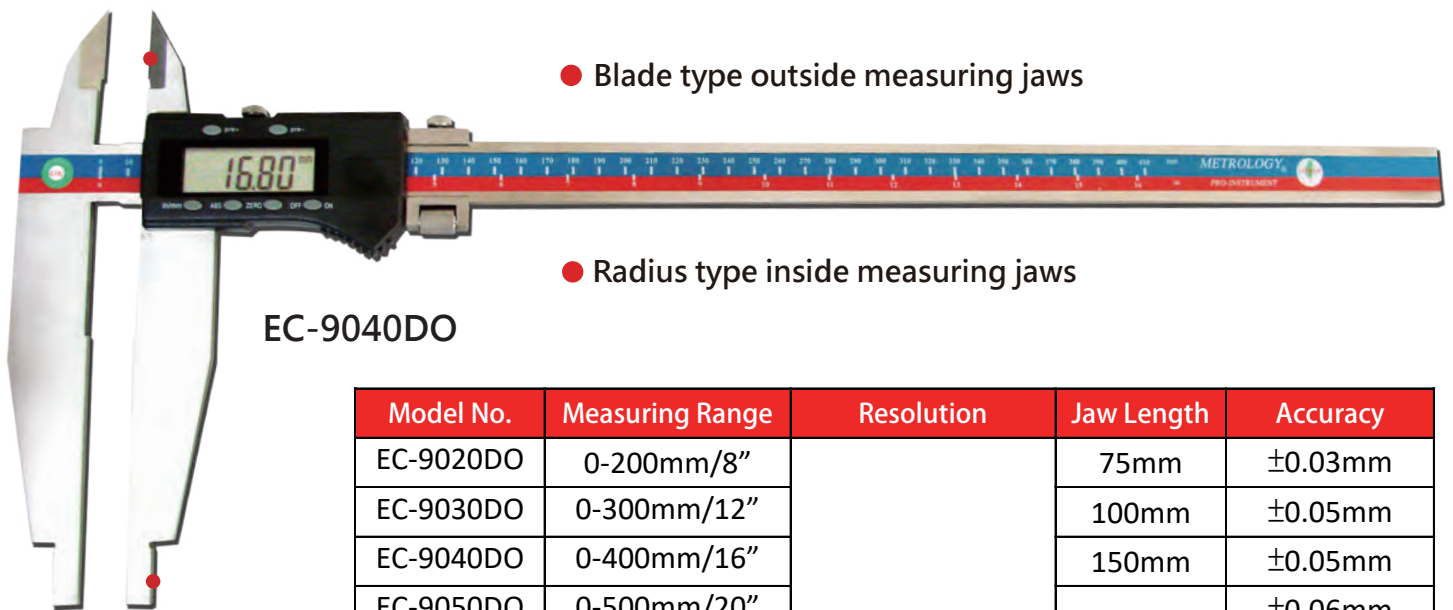
● Blade type inside measuring jaws

● Radius type inside measuring jaws

Model No.	Measuring Range	Resolution	Jaw Length	Accuracy
EC-9040DI	0-400mm/16"	0.01mm/0.0005"	125mm	±0.05mm
EC-9050DI	0-500mm/20"		150mm	±0.06mm
EC-9060DI	0-600mm/24"		150mm	±0.06mm
EC-9080DI	0-800mm/32"		150mm	±0.07mm
EC-9100DI	0-1000mm/40"		200mm	±0.08mm

■ Digital Caliper (Double Outside Jaw)

For measuring small, mid, large size workpiece, external internal, step, length and distance.



EC-9040DO

● Blade type outside measuring jaws

● Radius type inside measuring jaws

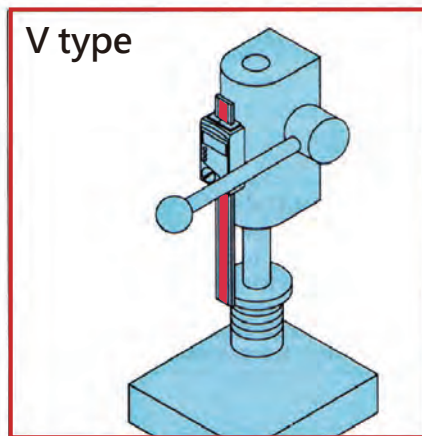
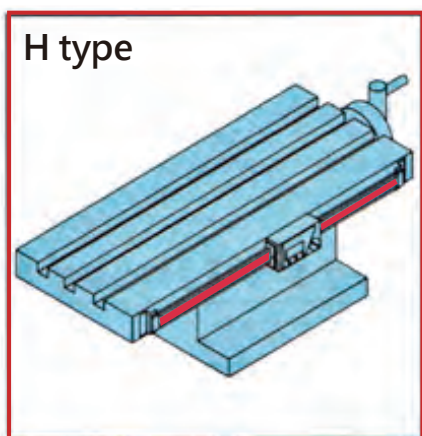
Model No.	Measuring Range	Resolution	Jaw Length	Accuracy
EC-9020DO	0-200mm/8"	0.01mm/0.0005"	75mm	±0.03mm
EC-9030DO	0-300mm/12"		100mm	±0.05mm
EC-9040DO	0-400mm/16"		150mm	±0.05mm
EC-9050DO	0-500mm/20"		200mm	±0.06mm
EC-9060DO	0-600mm/24"			±0.06mm
EC-9080DO	0-800mm/32"			±0.07mm
EC-9100DO	0-1000mm/40"		250mm	±0.08mm
EC-9150DO	0-1500mm/60"			±0.12mm
EC-9200DO	0-2000mm/80"			±0.15mm

■ Digital Scale (Horizontal)

Can be installed on horizontal axis machine table, for measuring moving distance and position.



ES-9040H



■ Digital Scale (Vertical)

Can be installed on vertical axis machine table, for measuring moving distance and position.

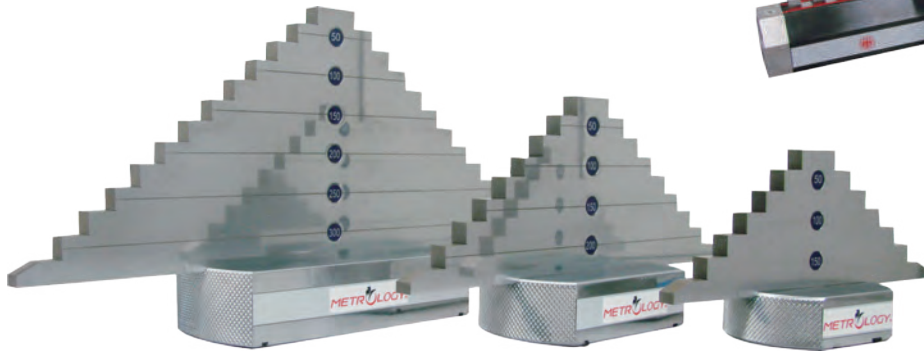
Model No. (Horizontal)	Model No. (Vertical)	Measuring Range (mm)	Accuracy (mm)
ES-9010H	ES-9010V	100	±0.02
ES-9015H	ES-9015V	150	±0.03
ES-9020H	ES-9020V	200	±0.03
ES-9030H	ES-9030V	300	±0.04
ES-9040H	ES-9040V	400	±0.05
ES-9050H	ES-9050V	500	±0.05
ES-9060H	ES-9060V	600	±0.06
ES-9070H	ES-9070V	700	±0.07
ES-9080H	ES-9080V	800	±0.08
ES-9100H	ES-9100V	1000	±0.10
ES-9150H	ES-9150V	1500	±0.15
ES-9200H	ES-9200V	2000	±0.20



ES-9040V

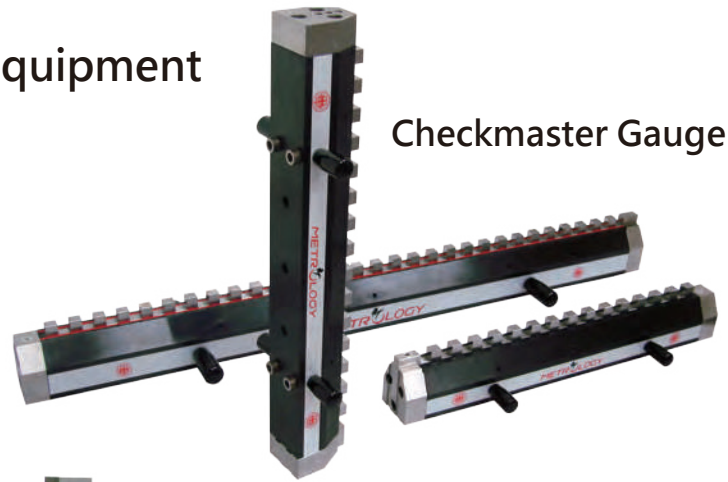
■ Caliper inspection & Calibration equipment

Tower Outside Checker



Detail information see page: K2-3

Checkmaster Gauge



Detail information see page: K8-9

Ring Block



Detail information see page: H23

Cylinder Depth Checker



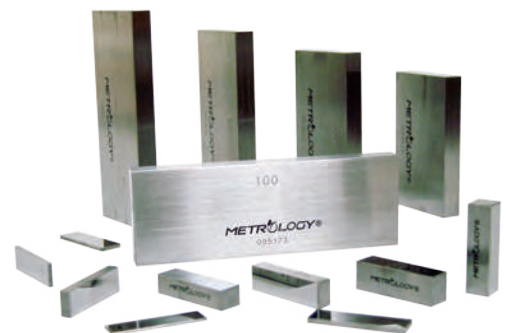
Detail information see page: K4-5

Multi-Functional Length Calibrator



Detail information see page: K13-24

Gauge Block



Detail information see page: H3-16