

Micrometer Head

Application

The micrometer heads are instrumental in electronic components manufacturing such as semiconductors, wafer, positioning machinery, optical component alignment equipment, X-Y table positioning, machine tools, fixtures, special gage, and other equipment where precise movement and adjustment are required.



Micrometer Head Drives:

One, two or three axis spring loaded positioning stages with ball or crossed roller bearing elements are available with a variety of options. Among these are locking micrometer heads, carriage locks and digital micrometer heads. Micrometer head drives locate and measure accurately to 0.001" or 0.0001". Ultra-Fine differential micrometer heads offer resolution of 0.002" per revolution, reduction up to 508 to 1.



Special Heads

Jingstone Metrology also design and manufactured many special types of micrometer heads for widely diversified applications that require micrometer accuracy in setting and adjustment.

The micrometer can be customized to suit your particular requirements in wide choice of sizes, range and graduation.

We design and build to your special needs. So if you do not see what you need, please feel free to contact us.

Micrometer Head



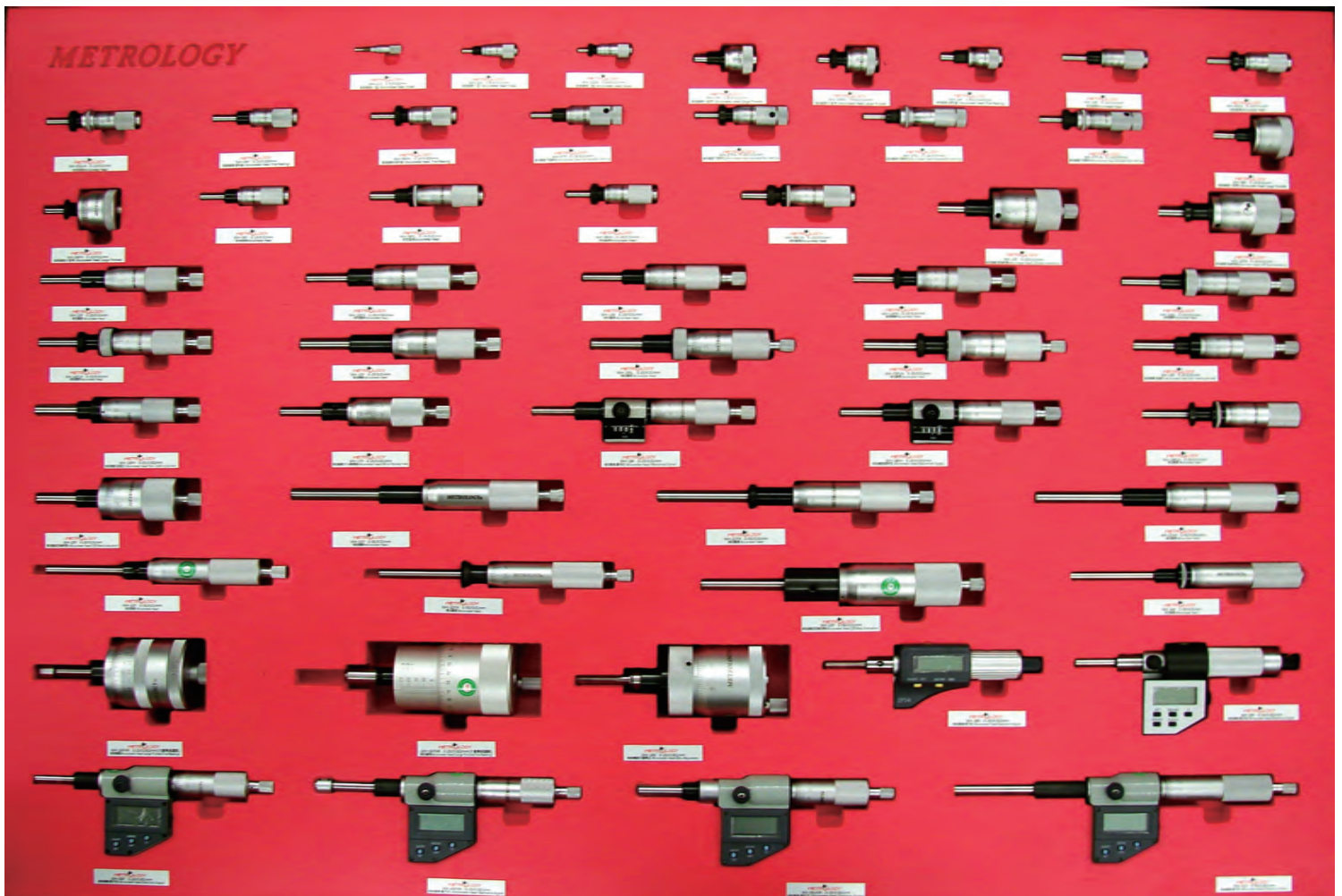
Features (Vernier)

- German technic unibody precision screw and spindle.
- Non-glare satin chrome finish on thimble and sleeve. Laser engraved graduation.
- Precision grinded and fine-polished tungsten carbide measuring face and hardened steel stem.



Features (Digital)

- High contrast digital LCD display, for easy readability, reducing vision error.
- German technic unibody precision screw and spindle.
- Non-glare satin chrome finish on thimble and sleeve. Laser engraved graduation.
- Precision grinded and fine-polished tungsten carbide measuring face and hardened steel stem.



Micrometer Head (Digital)

- Large high contrast LCD display for easy readability, reducing vision errors.
- Unibody hardened steel Ø 6.5mm spindle. Automatic pressure force thimble.
- Precision grinded and fine- polished tungsten carbide measuring face, Ø 9.52mm clamp stem. 3V battery (1 year)
- Function: manual on/off switch, ABS/INC value conversion, set zero, metric/imperial value conversion, auto-off after 5 min idle.



Model No.	Measuring Range	Accuracy
MH-28E	0-25mm/0-1"	±0.003mm

Resolution : 0.001mm / 0.00005"

Micrometer Head (Digital)

- Large high contrast LCD display for easy readability, reducing vision errors.
- Black cast iron frame. Non-glare satin chrome thimble and sleeve. Ring type spindle lock.
- Unibody hardened steel Ø 6.5mm spindle. 3V battery (1 year)
- Precision grinded and fine- polished tungsten carbide measuring face, Ø 9.52mm clamp stem, 3/8" clamp nut and spindle lock.
- Function: manual on/off switch, ABS/INC value conversion, set zero, metric/imperial value conversion, auto-off after 10 min idle.



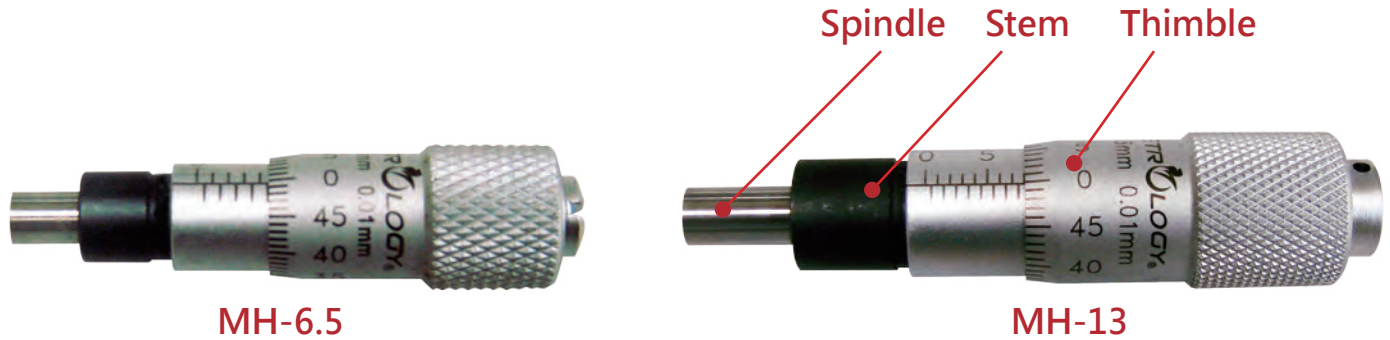
Model No.	Measuring Range	Accuracy
MH-30E	0-25mm/0-1"	±0.003mm
MH-31E	0-50mm/0-2"	±0.004mm

Resolution : 0.001mm / 0.00005"



Micrometer Head (Vernier)

- German technic unibody precision screw and spindle.
- Non-glare satin chrome finish on thimble and sleeve. Laser engraved graduation.
- Precision grinded and fine- polished tungsten carbide measuring face and hardened steel clamp stem.



MH-6.5

MH-13



MH-25



MH-50

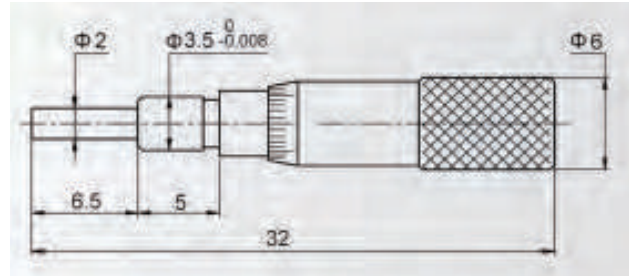
Model No.	Measuring Range	Spindle Diameter	Stem Diameter	Overall Length	Thimble Diameter	Accuracy (um)
MH-6.5	0-6.5mm	Φ3.5mm	Φ6mm	L:37mm	Φ9.5mm	4
MH-13	0-13mm	Φ5 mm	Φ9.5 mm	L:59 mm	Φ13.4 mm	4
MH-25	0-25mm	Φ6.5 mm	Φ10 mm (With clamp nut)	L:98 mm	Φ18.2 mm	4
MH-50	0-50mm	Φ6.5 mm	Φ10 mm (With clamp nut)	L:146 mm	Φ18.2 mm	5

Graduation : 0.01mm

■ Micrometer Head (Small)



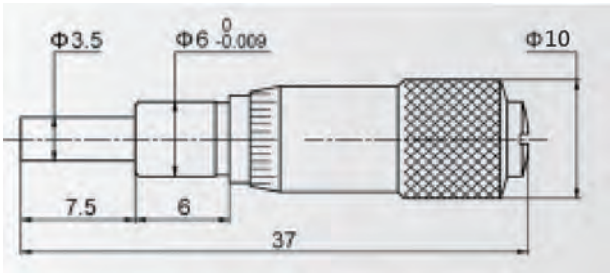
MH-01F



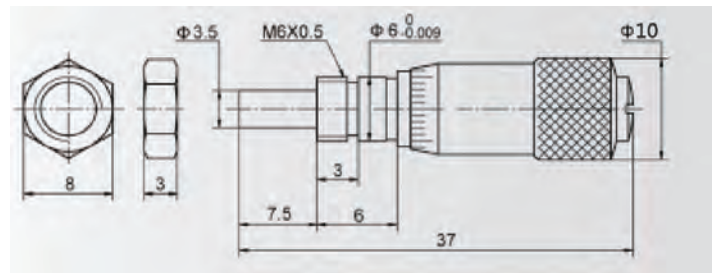
MH-01F



MH-02F



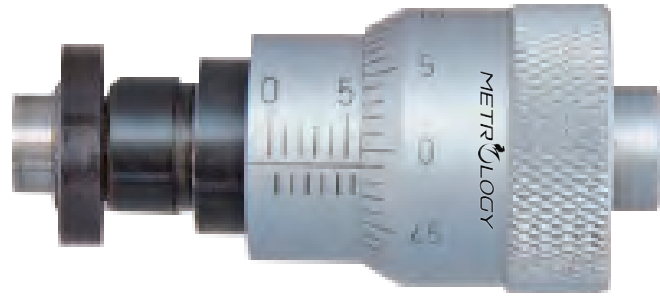
MH-02F



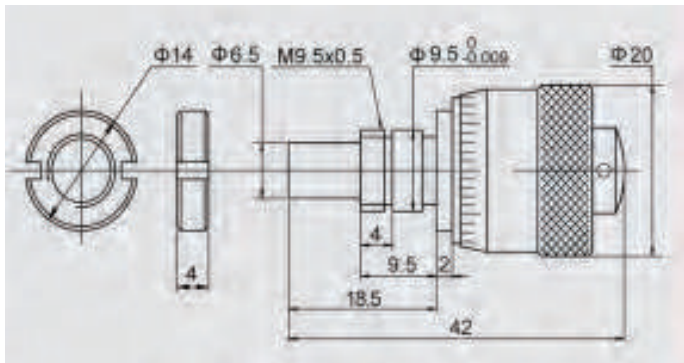
MH-02FN

Model No.	Measuring Range	Accuracy	Remark
MH-01F	0-5mm	4um	Flat measuring face
MH-01S			Spherical measuring face
Graduation : 0.02 mm			
MH-02F	0-6.5mm	4um	Flat measuring face
MH-02S			Spherical measuring face
MH-02FN			Flat measuring face with clamp nut
MH-02SN			Spherical measuring face with clamp nut
Graduation : 0.01 mm			

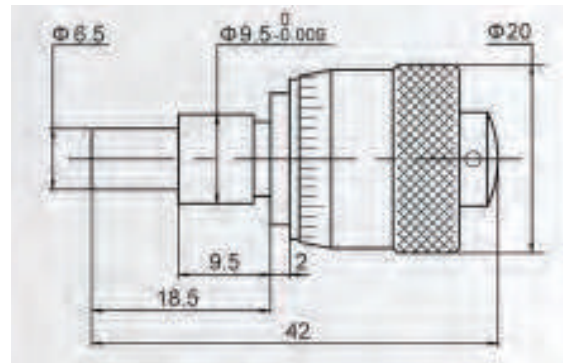
■ Micrometer Head (Large Thimble)



MH-03FN



MH-03FN



MH-03F

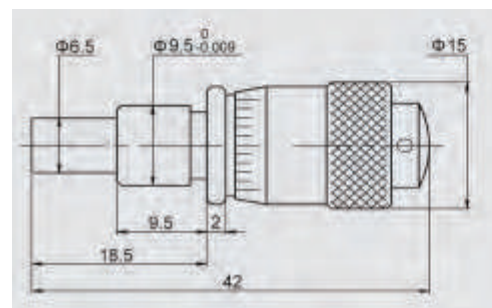
Model No.	Measuring Range	Accuracy	Remark
MH-03F	0-6.5mm	4um	Flat measuring face
MH-03S			Spherical measuring face
MH-03FN			Flat measuring face with clamp nut
MH-03SN			Spherical measuring face with clamp nut

Graduation : 0.01mm

■ Micrometer Head (Fine Reading)



MH-04F



MH-04F

Model No.	Measuring Range	Accuracy	Remark
MH-04F	0-6.5mm	4um	Flat measuring face
MH-04S			Spherical measuring face

Graduation : 0.005mm

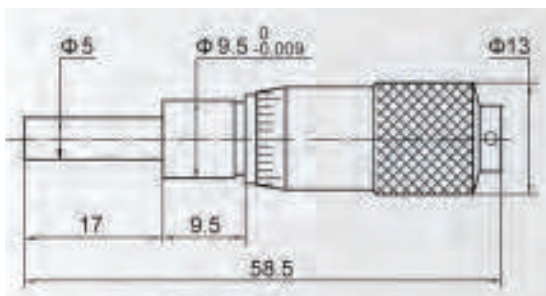
■ Micrometer Head



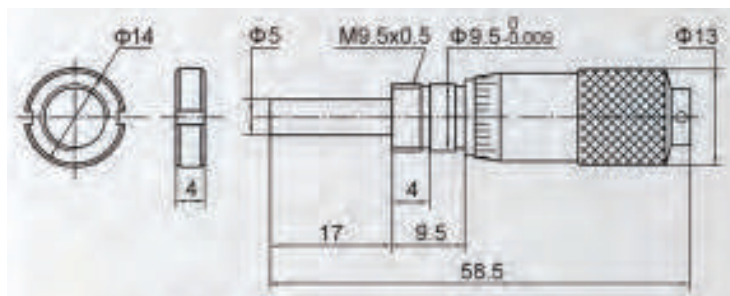
MH-05FLN



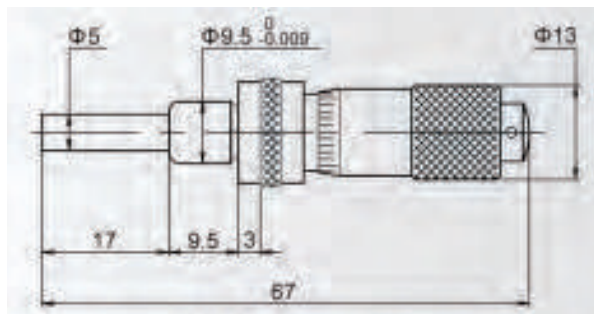
MH-05F



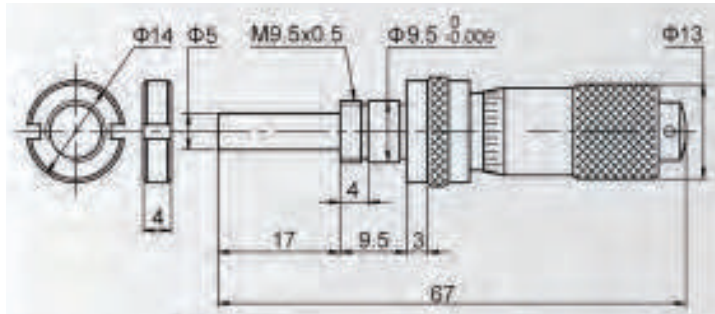
MH-05F



MH-05FN



MH-05FL



MH-05FLN

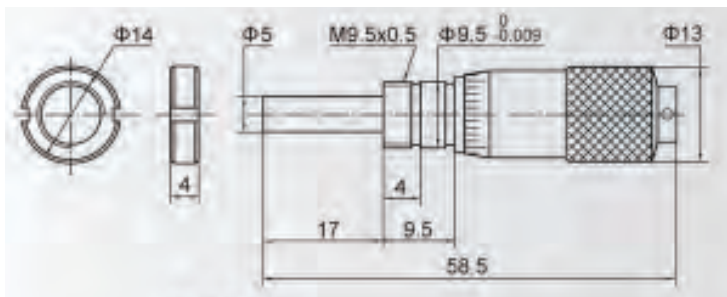
Model No.	Measuring Range	Accuracy	Remark
MH-05F	0-13mm	4um	Flat measuring face
MH-05S			Spherical measuring face
MH-05FN			Flat measuring face with clamp nut
MH-05SN			Spherical measuring face with clamp nut
MH-05FL			Flat measuring face with spindle lock
MH-05SL			Spherical measuring face with spindle lock
MH-05FLN			Flat measuring face with spindle lock, clamp nut
MH-05SLN			Spherical measuring face with spindle lock, clamp nut

Graduation : 0.01mm

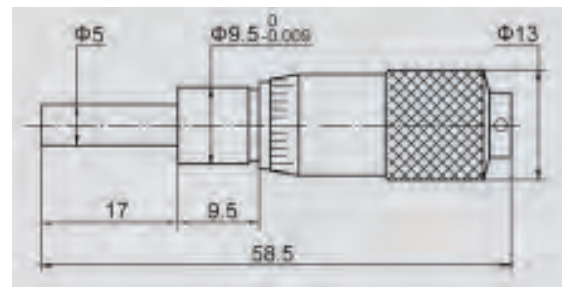
■ Micrometer Head (Fine Reading)



MH-06S



MH-06FN



MH-06F

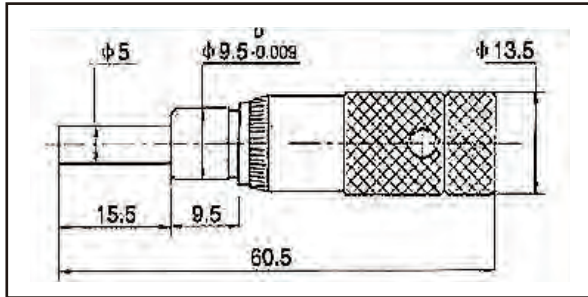
Model No.	Measuring Range	Accuracy	Remark
MH-06F	0-13mm	4um	Flat measuring face
MH-06S			Spherical measuring face
MH-06FN			Flat measuring face with clamp nut
MH-06SN			Spherical measuring face with clamp nut

Graduation : 0.005mm Screw pitch : 0.25mm

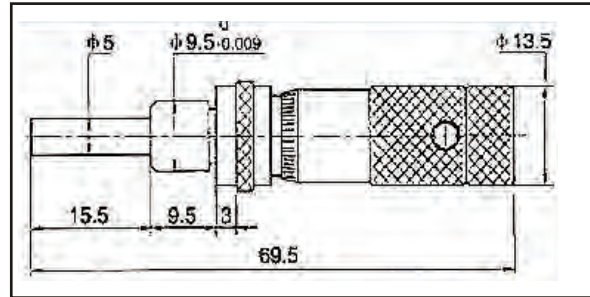
■ Micrometer Head (Variable Zero Settings)



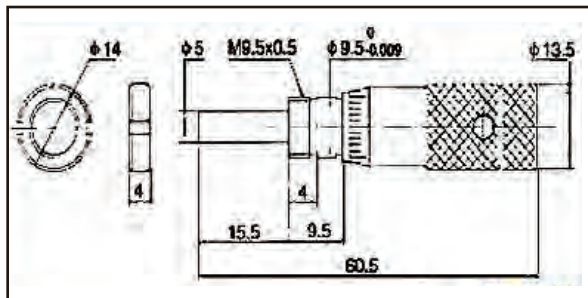
MH-07F



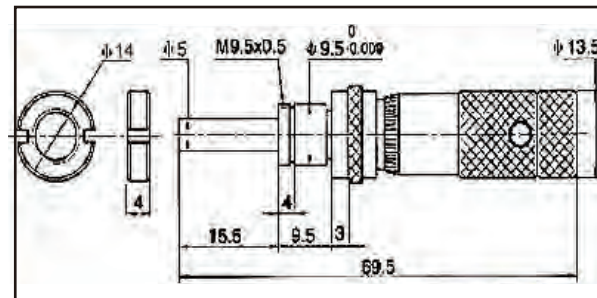
MH-07F



MH-07FL



MH-07FN



MH-07FLN

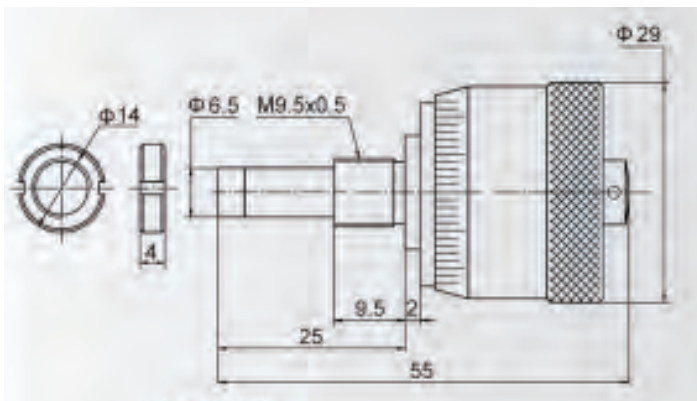
Model No.	Measuring Range	Accuracy	Remark
MH-07F	0-13mm	4um	Flat measuring face
MH-07S			Spherical measuring face
MH-07FN			Flat measuring face with clamp nut
MH-07SN			Spherical measuring face with clamp nut
MH-07FL			Flat measuring face with spindle lock
MH-07SL			Spherical measuring face with spindle lock
MH-07FLN			Flat measuring face with spindle lock, clamp nut
MH-07SLN			Spherical measuring face with spindle lock, clamp nut

Graduation : 0.01mm

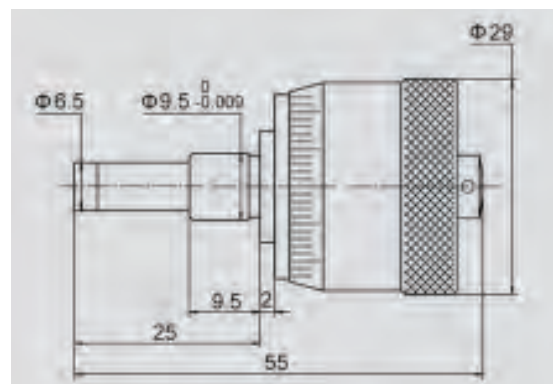
■ Micrometer Head (Large Thimble)



MH-08FN



MH-08FN



MH-08F

Model No.	Measuring Range	Accuracy	Remark
MH-08F	0-13mm	4um	Flat measuring face
MH-08S			Spherical measuring face
MH-08FN			Flat measuring face with clamp nut
MH-08SN			Spherical measuring face with clamp nut

Graduation : 0.01mm

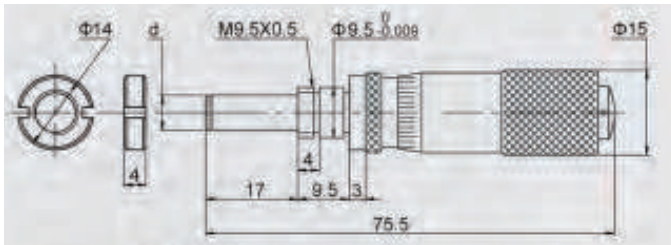
■ Micrometer Head



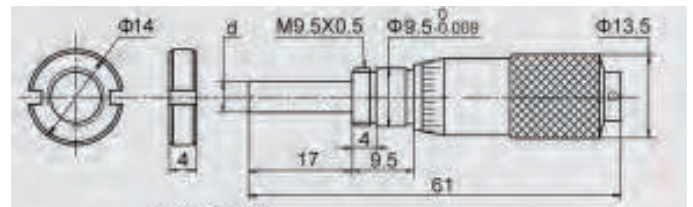
MH-09FL



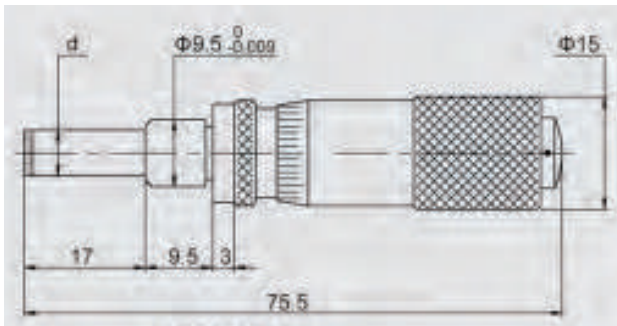
MH-09S



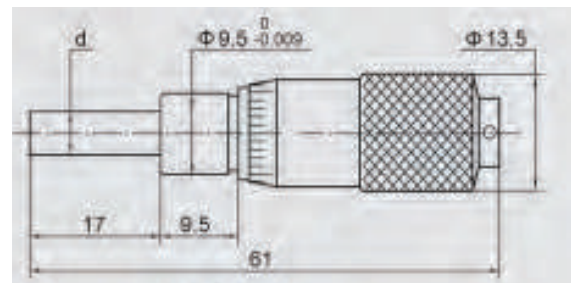
MH-09FLN



MH-09FN



MH-09FL



MH-09F

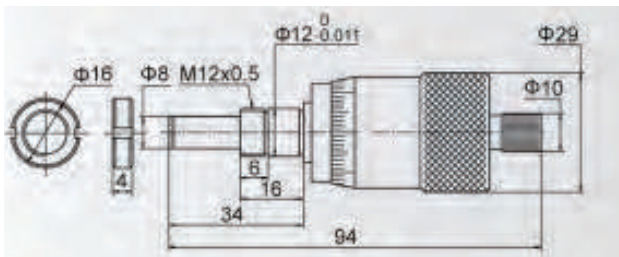
Model No.	Measuring Range	Accuracy	Remark
MH-09F	0-15mm	4um	Flat measuring face
MH-09S			Spherical measuring face
MH-09FN			Flat measuring face with clamp nut
MH-09SN			Spherical measuring face with clamp nut
MH-09FL			Flat measuring face with spindle lock
MH-09SL			Spherical measuring face with spindle lock
MH-09FLN			Flat measuring face with spindle lock, clamp nut
MH-09SLN			Spherical measuring face with spindle lock, clamp nut

Graduation : 0.01mm

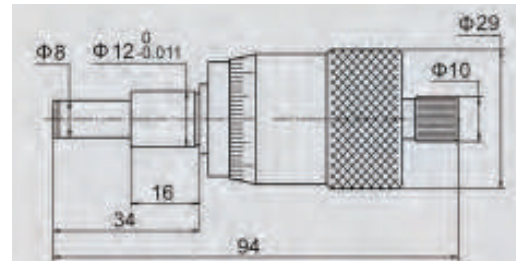
■ Micrometer Head (100 Step Graduation)



MH-10F



MH-10FN



MH-10F

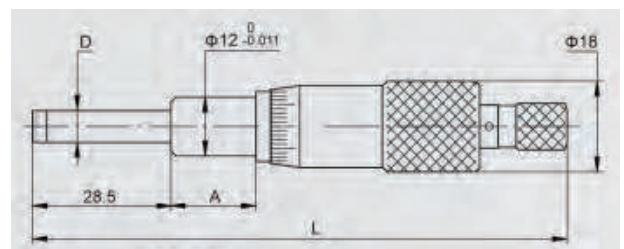
Model No.	Measuring Range	Accuracy	Remark
MH-10F	0-15mm	4um	Flat measuring face
MH-10S			Spherical measuring face
MH-10FN			Flat measuring face with clamp nut
MH-10SN			Spherical measuring face with clamp nut

Graduation : 0.01mm

■ Micrometer Head



MH-13F



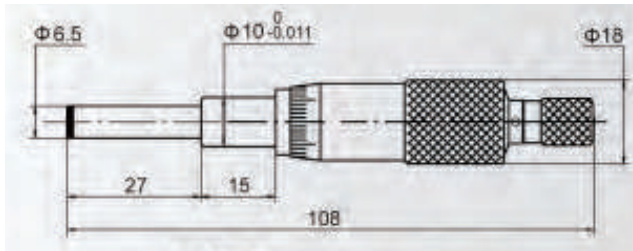
MH-13F

Model No.	Measuring Range	Accuracy	Remark
MH-13F	0-25mm	4um	Flat measuring face
MH-13S			Spherical measuring face
Graduation : 0.01 mm			
MH-13FH	0-25mm	3um	Flat measuring face
MH-13SH			Spherical measuring face
Graduation : 0.002 mm			

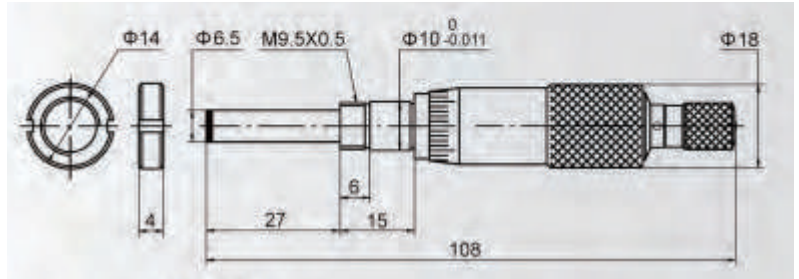
■ Micrometer Head



MH-14F



MH-14F



MH-14FN

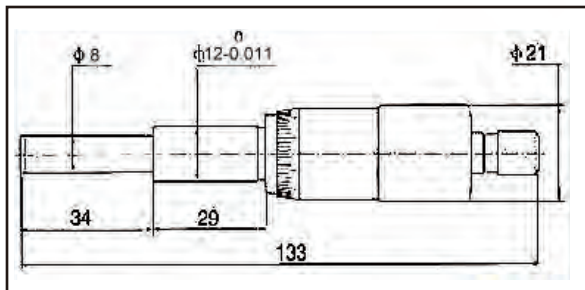
Model No.	Measuring Range	Accuracy	Remark
MH-14F	0-25mm	4um	Flat measuring face
MH-14S			Spherical measuring face
MH-14FN			Flat measuring face with clamp nut
MH-14SN			Spherical measuring face with clamp nut

Graduation : 0.01mm

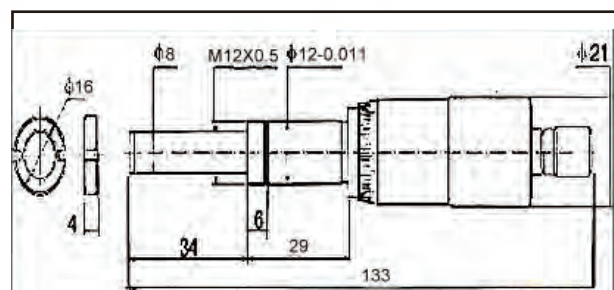
■ Micrometer Head



MH-15F



MH-15F



MH-15FN

Model No.	Measuring Range	Accuracy	Remark
MH-15F	0-25mm	4um	Flat measuring face
MH-15S			Spherical measuring face
MH-15FN			Flat measuring face with clamp nut
MH-15SN			Spherical measuring face with clamp nut

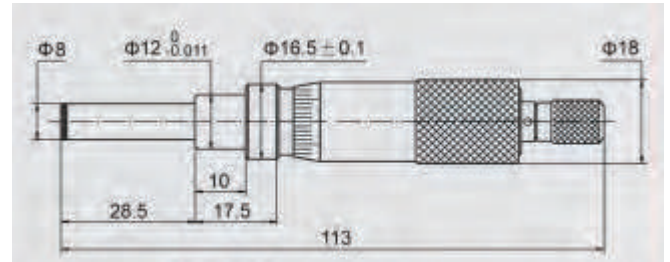
Graduation : 0.01mm

■ Micrometer Head (Non-Rotating Spindle)



Non-rotating spindle

MH-16F



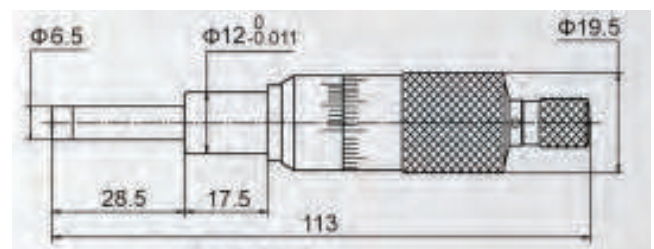
MH-16F

Model No.	Measuring Range	Accuracy	Remark
MH-16F	0-25mm	4um	Flat measuring face
MH-16S			Spherical measuring face
Graduation : 0.01 mm			
MH-16FH	0-25mm	3um	Flat measuring face
MH-16SH			Spherical measuring face
Graduation : 0.002 mm			

■ Micrometer Head (Micro Parallax Free)



MH-17F



MH-17F

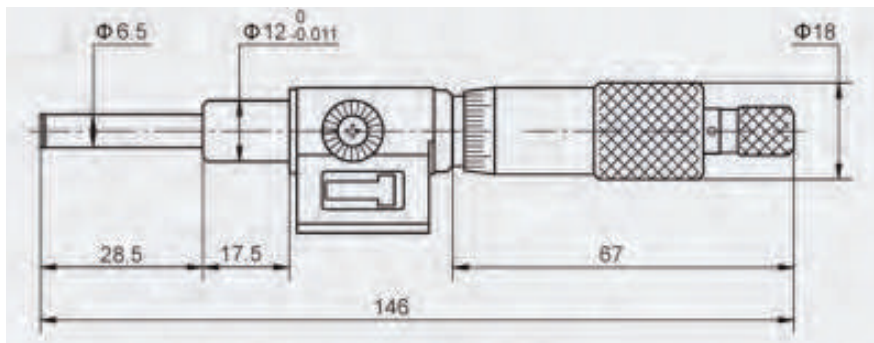
Model No.	Measuring Range	Accuracy	Remark
MH-17F	0-25mm	3um	Flat measuring face
MH-17S			Spherical measuring face

Graduation : 0.001mm

■ Micrometer Head (Mechanical Digits)



MH-18F



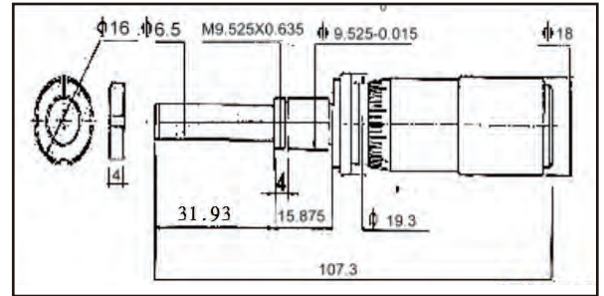
MH-18F

Model No.	Measuring Range	Accuracy	Remark
MH-18F	0-25mm	4um	Flat measuring face
MH-18S			Spherical measuring face
Graduation : 0.01 mm			
MH-18FH	0-25mm	3um	Flat measuring face
MH-18SH			Spherical measuring face
Graduation : 0.002 mm			

■ Micrometer Head



MH-19FLN



MH-19FLN

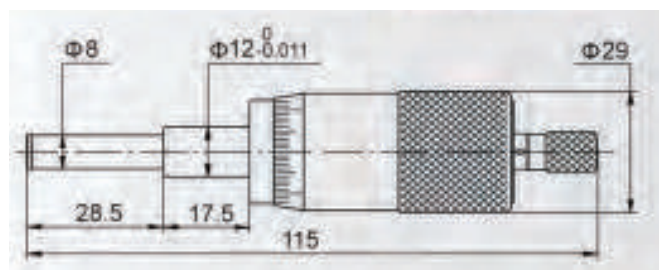
Model No.	Measuring Range	Accuracy	Remark
MH-19F	0-25mm	4um	Flat measuring face
MH-19FLN			Flat measuring face with spindle lock, clamp nut

Graduation : 0.01mm

■ Micrometer Head (100 Step Graduation)



MH-20F



MH-20F

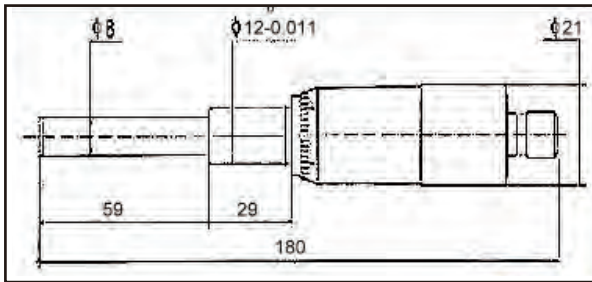
Model No.	Measuring Range	Accuracy	Remark
MH-20F	0-25mm	4um	Flat measuring face
MH-20S			Flat measuring face with spindle lock, clamp nut

Graduation : 0.01mm

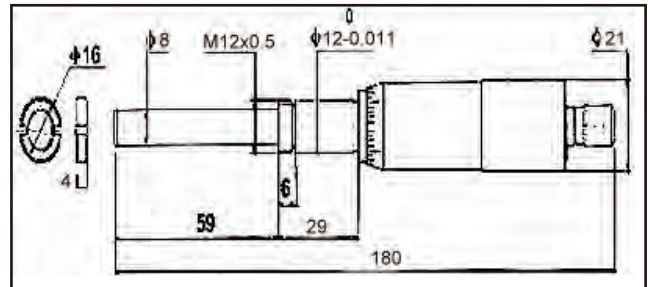
■ Micrometer Head (Long Travel)



MH-21F



MH-21F



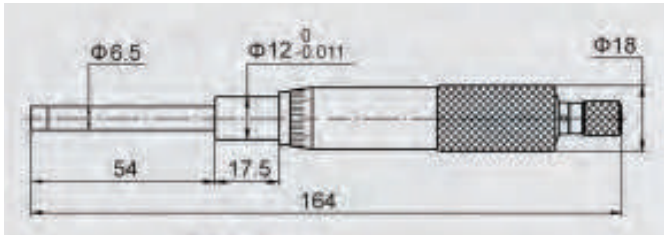
MH-21FN

Model No.	Measuring Range	Accuracy	Remark
MH-21F	0-50mm	5um	Flat measuring face
MH-21S			Spherical measuring face
MH-21FN			Flat measuring face with clamp nut
MH-21SN			Spherical measuring face with clamp nut
Graduation : 0.01 mm			
MH-21FH	0-50mm	4um	Flat measuring face
MH-21SH			Spherical measuring face
MH-21FNH			Flat measuring face with clamp nut
MH-21SNH			Spherical measuring face with clamp nut
Graduation : 0.001 mm			

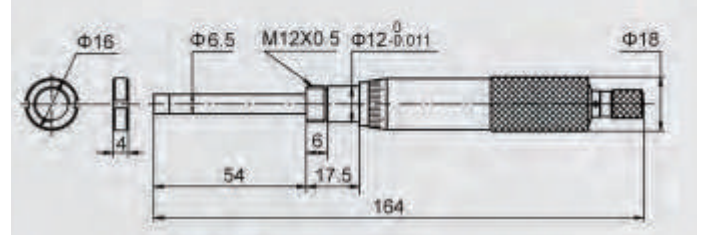
■ Micrometer Head (Long Travel)



MH-22F



MH-22F



MH-22FN

Model No.	Measuring Range	Accuracy	Remark
MH-22F	0-50mm	5um	Flat measuring face
MH-22S			Spherical measuring face
MH-22FN			Flat measuring face with clamp nut
MH-22SN			Spherical measuring face with clamp nut

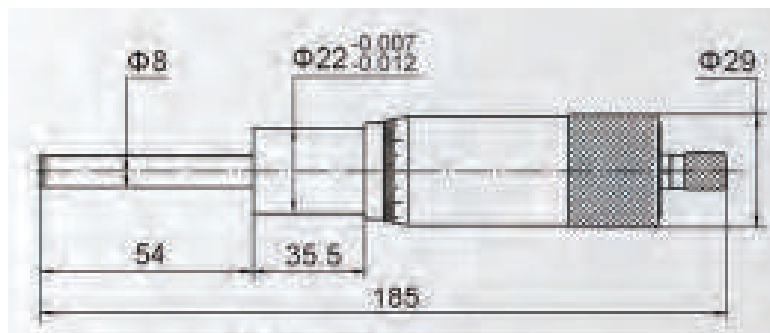
Graduation : 0.01mm

■ Micrometer Head (100 Step Graduation)

1mm per revolution



MH-23S



MH-23F

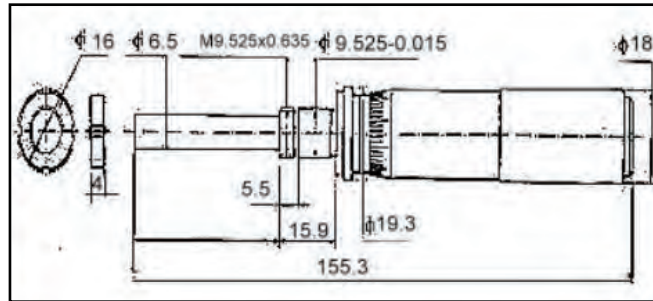
Model No.	Measuring Range	Accuracy	Remark
MH-23F	0-50mm	5um	Flat measuring face
MH-23S			Spherical measuring face

Graduation : 0.01mm

■ Micrometer Head



MH-24FLN

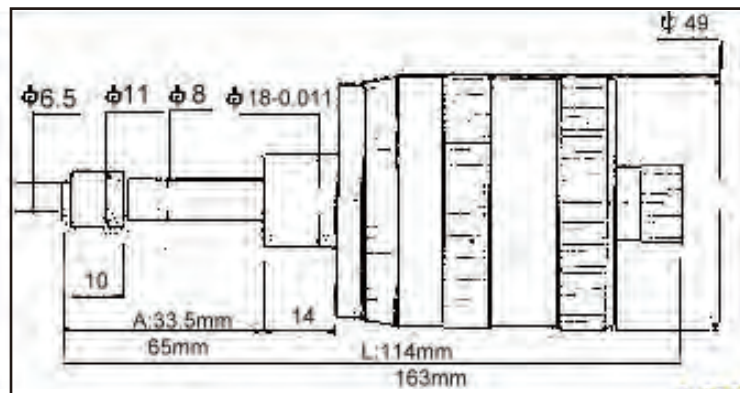


MH-24FLN

Model No.	Measuring Range	Accuracy	Remark
MH-24FL	0-50mm	5um	Flat measuring face with spindle lock
MH-24FLN			Flat measuring face with spindle lock ,clamp nut

Graduation : 0.01mm

■ Micrometer Head (Large Thimble Fine Graduation)



MH-25FNR

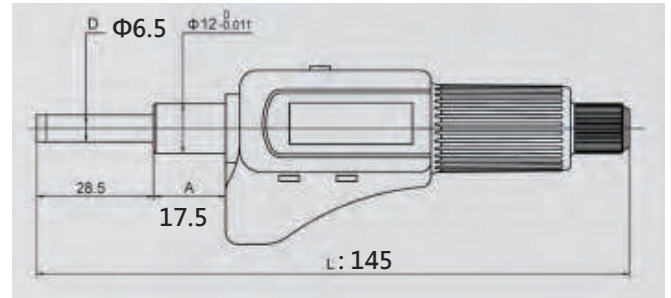
Model No.	Measuring Range	Accuracy	Remark
MH-25F	0-25mm	3um	Flat measuring face
MH-25FNR			Flat measuring face 、 non-rotating device
MH-50F	0-50mm	5um	Flat measuring face
MH-50FNR			Flat measuring face 、 non-rotation device

Graduation : 0.002mm Bi-directional graduation

■ Micrometer Head (Digital)



MH-28F



MH-28F

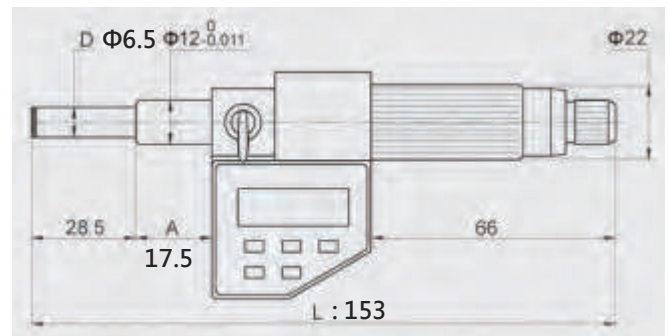
Model No.	Measuring Range	Accuracy	Remark
MH-28F	0-25mm/1"	$\pm 3\mu\text{m}$	Flat measuring face · IP54 water-proof
MH-28S			Spherical measuring face · IP54 water-proof
Function: on/off, set, ABS/INC, mm/in, data output, ratchet friction thimble, measuring force			

Resolution : 0.001mm / 0.00005"

■ Micrometer Head (Digital)



MH-29F



MH-29F

Model No.	Measuring Range	Accuracy	Remark
MH-29F	0-25mm/1"	$\pm 3\mu\text{m}$	Flat measuring face · IP54 water-proof
MH-29S			Spherical measuring face · IP54 water-proof
Function: on/off, set, ABS/INC, mm/in, data output			

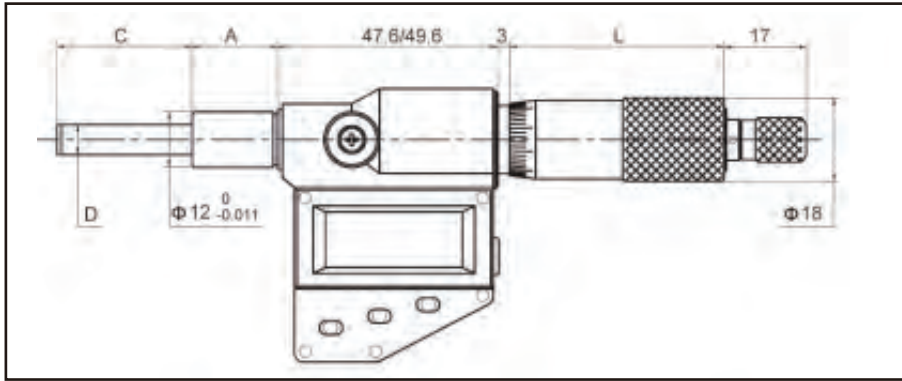
Resolution : 0.001mm / 0.00005"

■ Micrometer Head (Digital)



MH-30F

MH-31F



Measuring Rang	A	C	D	L
0-25mm	17.5mm	28.5mm	Φ6.5mm	47mm
0-50mm	35.5mm	53mm	Φ7.5mm	71.5mm

Model No.	Measuring Range	Accuracy	Remark
MH-30F	0-25mm / 1"	±3um	Flat measuring face · IP54 water-proof
MH-30S			Spherical measuring face · IP54 water-proof
MH-30FN			Flat measuring face with clamp nut · IP54 water-proof
MH-30SN			Spherical measuring face with clamp nut · IP54 water-proof
MH-30FNR			Flat measuring face · non-rotating spindle · IP54 water-proof
MH-30UNR			Universal interchangeable anvil · non-rotating device · IP54 water-proof
MH-31F	0-50mm / 2"	±4um	Flat measuring face · IP54 water-proof
MH-31S			Spherical measuring face · IP54 water-proof

Function: on/off, set, ABS/INC, unit, data output, ratchet stop measuring force

Resolution : 0.001mm / 0.00005"

■ Micrometer Head (IP65 Fast)

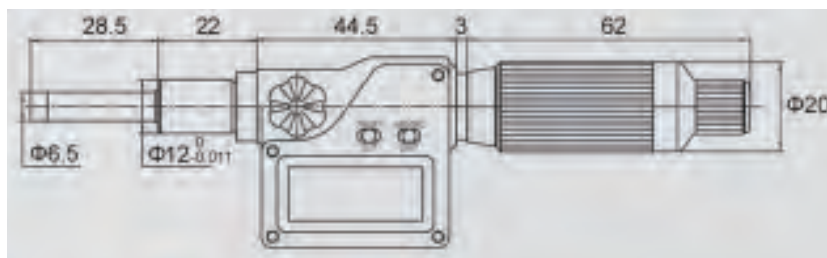
Rotating spindle



2mm per revolution



MH-32F



MH-32F

Model No.	Measuring Range	Accuracy	Remark
MH-32F	0-25mm/1"	±3um	Flat measuring face · rotating spindle
MH-32S			Spherical measuring face · rotating spindle

Resolution : 0.001mm / 0.00005"

■ Micrometer Head (IP65 Fast)

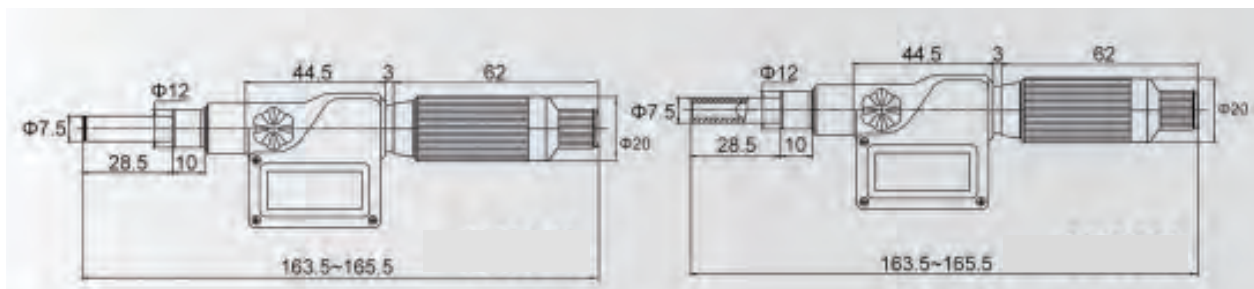
Non-rotating spindle



2mm per revolution



MH-32FNR



MH-32FNR

MH-32UNR(Universal interchangeable anvil)

Model No.	Measuring Range	Accuracy	Remark
MH-32FNR	0-25mm/1"	±3um	Flat measuring face · non-rotating spindle
MH-32UNR			Universal interchangeable anvil · non-rotating spindle

Resolution : 0.001mm / 0.00005"