

METROLOGY®

HI-ACCURACY Digital Height Measuring Gauge





Innovation Design R&D
Patented Technology Award

HI-ACCURACY

DIGITAL HEIGHT MEASURING GAUGE

High-precision digital height gauges are widely used for precision measurement in the fields of mold parts, precision automated parts, automotive engine parts, electronic connectors, and aerospace, etc. with high-precision grating sensor and precision guiding device, the gauge has stable accuracy and smooth hand feeling, and there is no hop count on display when measuring quickly. with high-brightness green LED, the display is clear and soft color, preventing operators from vision fatigue when long-time working. the ceramic measuring table is precise and durable.

Feature:

- ◆ High precision and high reliability, accurate and convenient reading.
- ◆ The resolution can be switched with one button.
- ◆ Metric/inch switched with one button.
- ◆ Maximum measuring speed: 5000mm/s.
- ◆ Ceramic measuring table is wear-resistant and corrosion-resistant.
- ◆ Easy to move with small size.
- ◆ Small measuring force for measuring precision film thickness.



Monitor: 8-bit green high-brighten LED display



Various interfaces



Maximum measuring speed: 5000mm/s



Minimum reading: 0.5 μm, 1 μm
metric/inch switched with one button



Measuring table: ceramic table, wear-resistant, corrosion resistant



Base: Cast iron base, shock, absorption, wear resistant

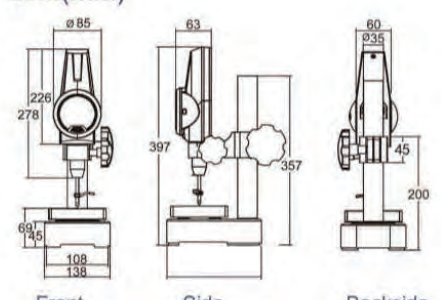
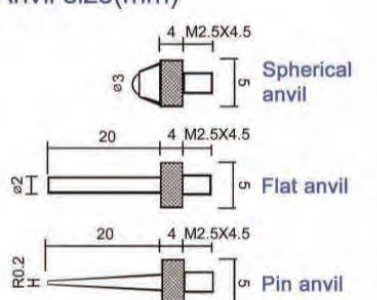

HI-ACCURACY Digital Height Measuring Gauge



Innovation Design R&D
Patented Technology Award

Specification

	 DHG - 50	 DHG - 50H	 DHG - 100
Model			
Measuring range	0-50mm	0-50mm	0-100mm
Accuracy(20°C)	≤ 1.5 μm	≤ 1.0 μm	≤ 3.0 μm
Minimum reading	0.5 μm、1 μm switchable	0.1 μm、1 μm switchable	
Maximum measuring speed	5000mm/s		
Measuring force	1.0-1.5N		
Monitor	8-bit green high-brighten LED display		
Measuring anvils	Spherical, flat and pin anvils		
Working conditions	Temperature: 0-40°C Humidity: 20-80%		
Working surface	ceramic 130x130mm		
Power	DC 5V/1A		
Power adaptor	Input: AC 100-240V 50-60Hz Output: DC 5V/1A		
Standard accessories	Ceramic base table, Spherical anvil, flat anvil and pin anvil		
Optional accessories	Special anvils, low measuring force device, mobile power		
Dimensions	200x138x397mm		
Weight	9.5Kg		

<p>Size(mm)</p>  <p style="font-size: small;">Front size chart Side size chart Backside size chart</p>	<p>Anvil size(mm)</p>  <p style="font-size: small;">Spherical anvil Flat anvil Pin anvil</p>	<p>Outer package</p> 
--	---	---